



avr-17

## GENEGLACE TECHNICAL INFORMATION

### *What about ice generators ?*

*The GEA Geneglac policy aims at improving its technology and the reliability of its equipment for the satisfaction of the world users, we are bringing improvements to our flake models with accents made on performance & efficiency, hygiene and durability while preserving competitive prices.*

### *PREMIUM model description*

**In mars 2017**, the first **PREMIUM** flake ice machine model has been delivered. This model have been developed and launched on the market to meet the requirements of some of our customers. There is indeed, some of our customers who demands a stronger presence of stainless steel in the constitution of our machine. Even if the general evolutions of our generators move in that direction, the generator PREMIUM presents the advantage to be a generator including all the possibilities regarding stainless steel.



*special reductor protective lacquer*



*stainless steel cover gear reducer*



*Torque limiter switch covering*

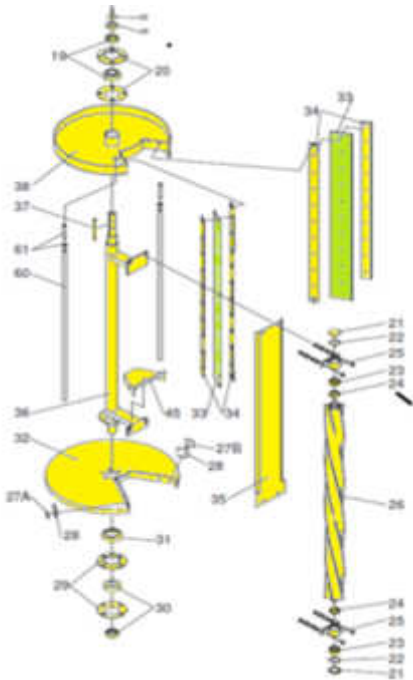


*Covers and cylinder liner*

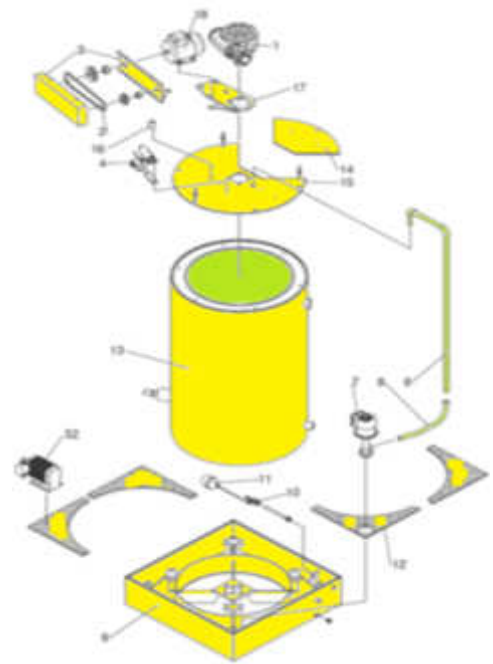


**In les Sorinières 05/04/14**

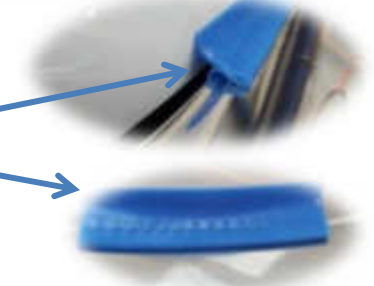
**PREMIUM stainless steel version main description**



- Water distribution tray
- stainless steel cover gear reducer
- Reamer bearing body
- Torque limiter switch covering
- special reductor protective lacquer
- Water collection tray
- Wiper support
- Lower shaft bearing body
- Shaft
- Upper shaft bearing
- Steel
- Reamer
- Bearing body
- Vertical deflector
- External liner
- Water base
- water base covers



*This special gasket will avoid any introduction in the water reserv.*



*Our documentation and price list will be updated to give you all the necessary information when installing this type of material.*

**In les Sorinières 05/04/17**